

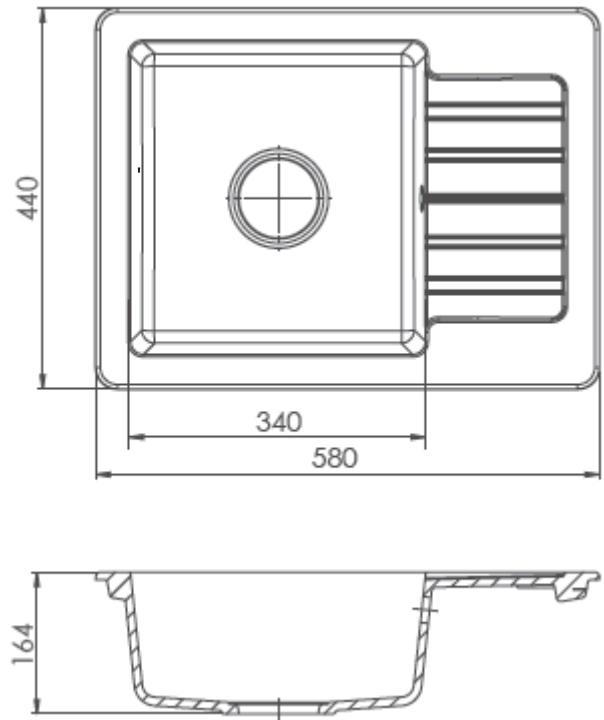
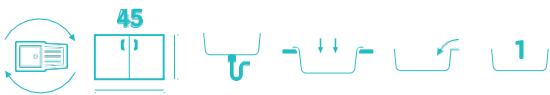


PICCOLO

Model: WAL-ZYP_X11A



DIMENSIONS - 580x440x164 mm



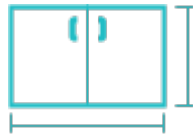
KEY DATA

Series	Piccolo
Model	WAL-ZYP_X11A
Material	80% German quartz and 20% resin
Hygiene Technology	Silver Ions providing Anti-microbial protection against mold, bacteria and yeasts
Fixings	Retaining Clips supplied
Cut-out	Instructions provided in the box
Waste	1 x 90mm basket waste with overflow, DN50 Outlet
Tap Holes	Tap Holes are provided upon request, detailed instructions are included for the installer to drill these to suit onsite
Pop-up Basket Strainer Waste	Included
Weight net	8 kg
Volume	3853cm ³
Bowl Size	360x 340x 150
Carton Size	650x 500x 220
Warranty	Lifetime warranty (refer to wallabycorp.com for conditions of warranty)

LEGEND



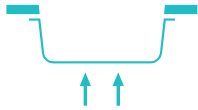
REVERSIBLE



CABINET DIMENSIONS



FLUSHMOUNT



UNDERMOUNT



WASTE INCLUDED



SINGLE BOWL



1,5 BOWL



DOUBLE BOWL



STANDARD OVERFLOW



SHORT OVERFLOW

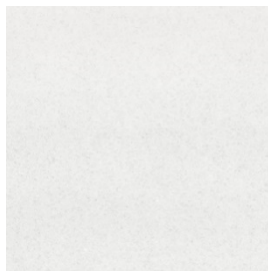


TWO-SIDED OVERFLOW



NO OVERFLOW

STANDARD COLOURS



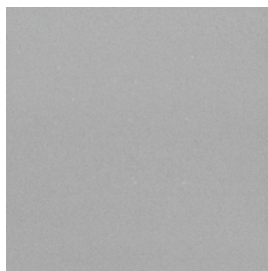
WHITE



LIGHT BEIGE



SAND



GREY METALLIC



GRAPHITE



BLACK METALLIC

Please refer to our website for the full colour range

*Please note measurements are within 2-3mm of factory tolerance. Made in accordance with EN 13310 standard. It is advisable to check dimensions of physical products when measuring prior to installation.