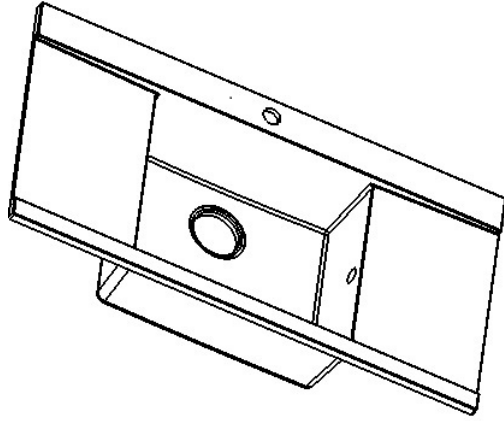
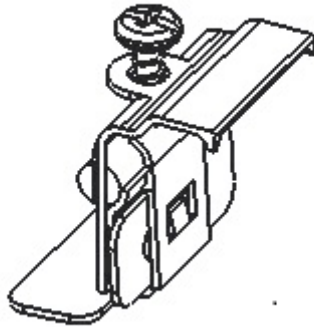


Your product:



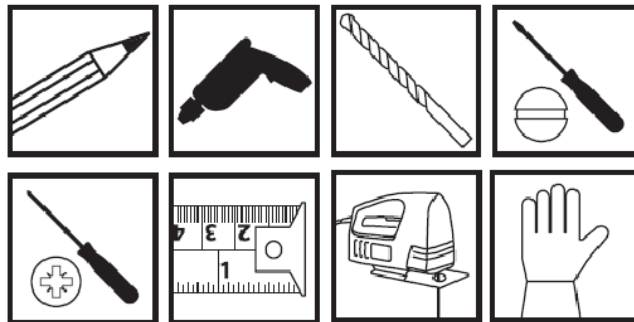
[1]x1



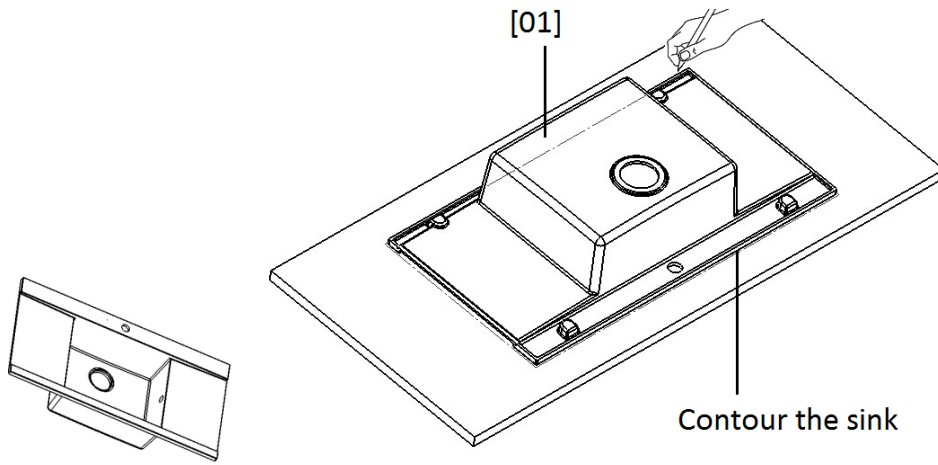
[2]x4

[3]x1

You will need:

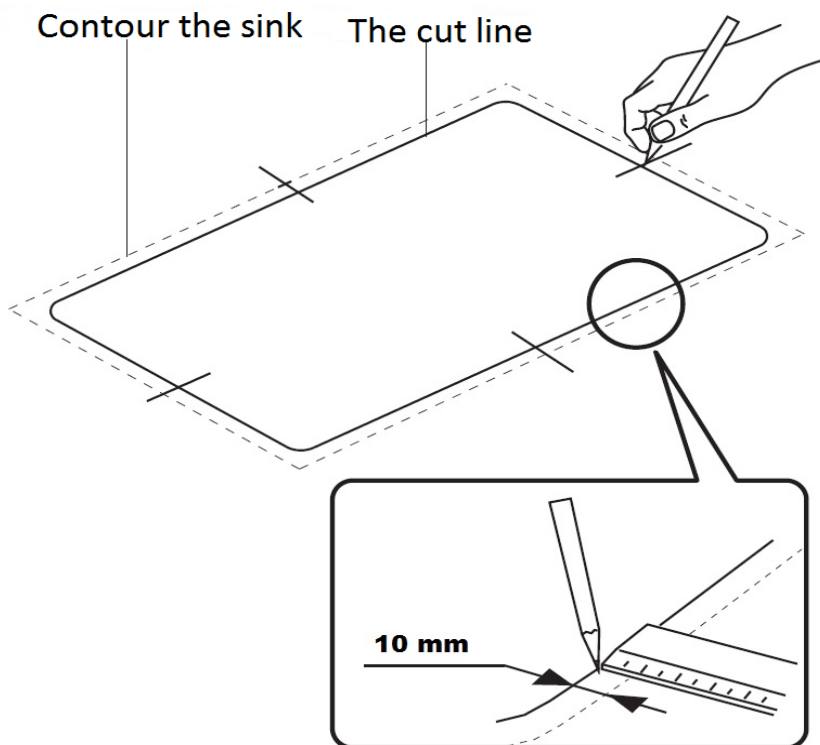


01

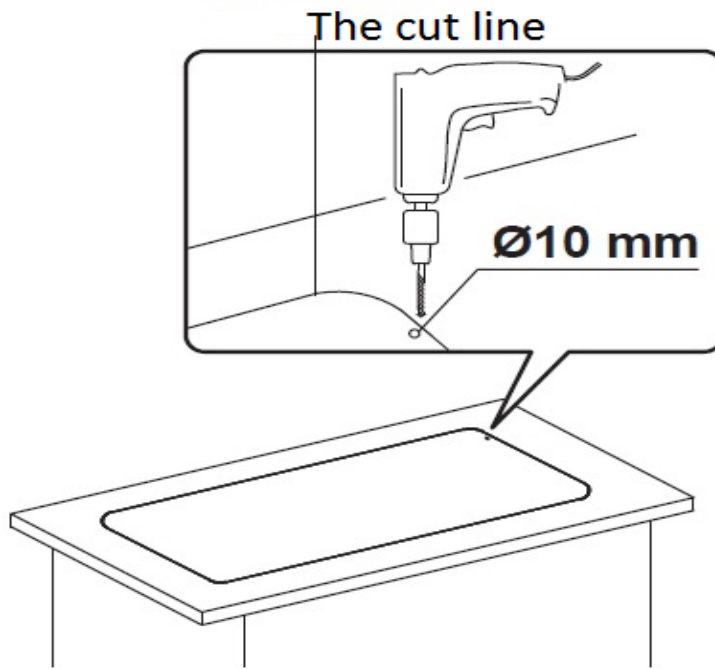


[1]x1

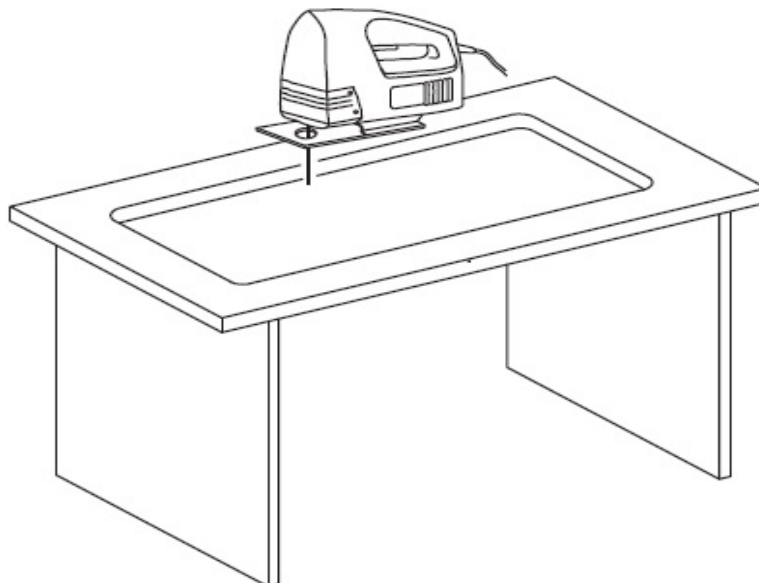
02



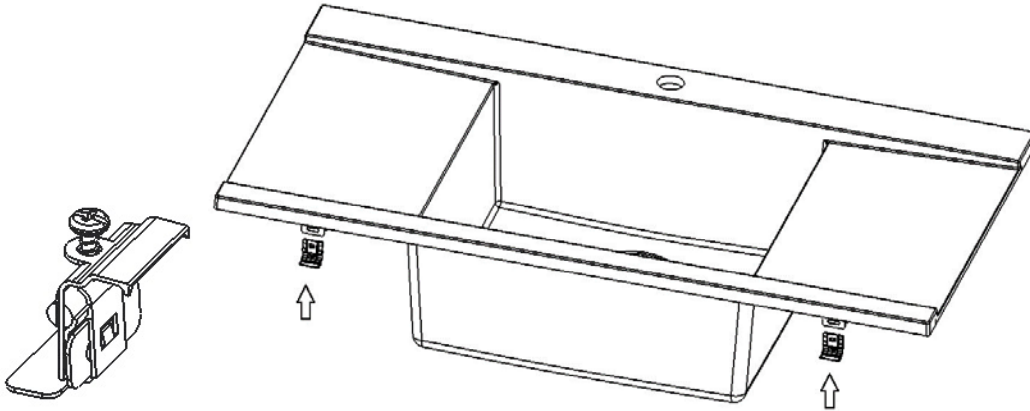
03



04

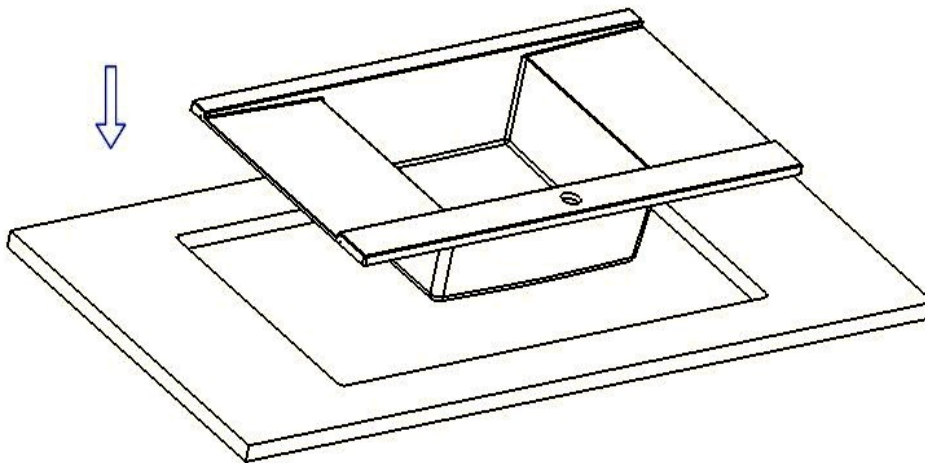


05

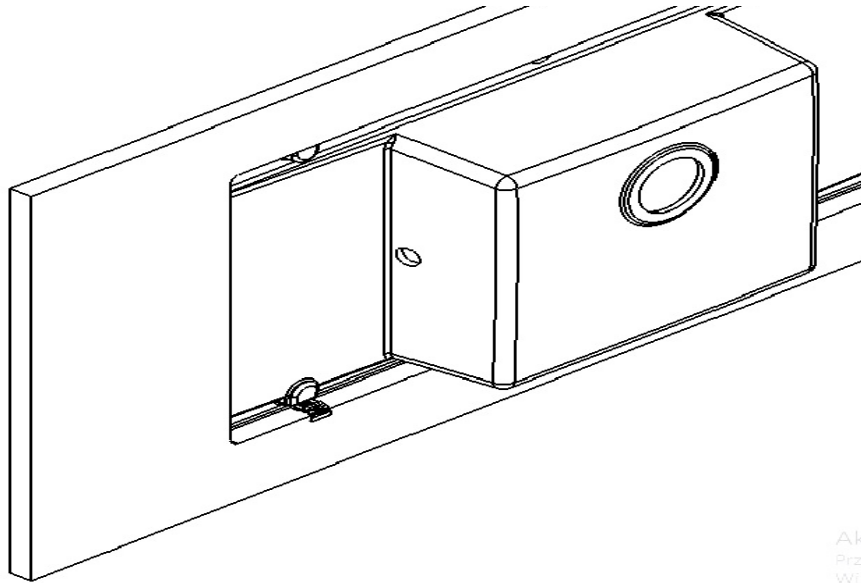


[2]x4

06

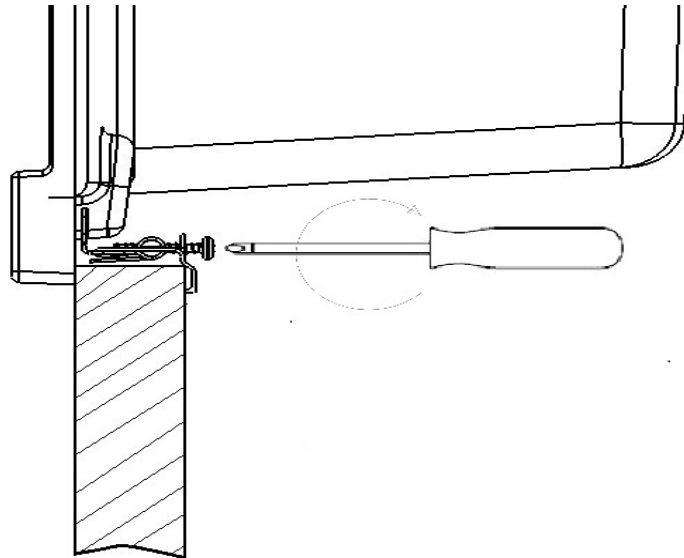


07



Ak  
Przi  
Wir

08



**ATTENTION !**

Slight variance in the colour of the sink is possible.

**BEFORE SINK INSTALLATION!**

1. After the purchase carefully unpack the sink and check its condition is satisfactory; also check the accessories listed below are complete.
2. If any damage is found or any item missing then please report this back to the store of purchase.
3. When you are ready to start, make sure you have the right tools to hand, plenty of space and a dry area for assembly.
4. If you are in any doubt as to how to install this product, consult a technically competent person.
5. CAUTION: Fragile - handle the product with care. This product may cause personal injury, property damage or break easily if not handled, positioned and installed with care.
6. Do not strike the sink with hard or pointed items.

**SAFETY**

1. For domestic use only
2. CAUTION: DO NOT overtighten the fixings otherwise it may damage the product.
3. CAUTION: Always ensure the product is securely fitted before use.
4. Failure to follow these instructions may result in personal injury, damage to the product and property damage.
5. Beware of sharp edges. It is recommended that you wear gloves when handling the sink during installation.
6. Avoid bleaches or household chemicals coming in contact with your sink.
7. Use a trivet or mat to avoid direct contact of very hot objects to the sink surface.
8. Never use steel wool.

### INSTALLATION PROCEDURE

1. Carefully place the sink top down on the working surface where it is to be installed and mark the contour of the sink on the working surface with a pencil. Draw another line at a distance of 10 mm from the first one and cut a hole in the worktop along the second, internal line.
2. Start by drilling a pilot hole (inside the cut-out line) to allow access for the jigsaw blade.
3. Using the jigsaw carefully cut along the cut-out hole.
4. Place the sink in the worktop hole and punch holes in the marked locations.
5. Attach the drains, overflow pipes and traps to the sink.
6. Install the fittings.
7. Carefully tighten the clips fastening the sink to the worktop.

### THE 4 GOLDEN RULES FOR CARE

1. Clean the sink using dishwasher liquid or other fluid detergent.
2. Do not use cleaning agents containing abrasives, such as cleaning creams or pastes, as they may tarnish the surface. We strongly advise against cleaning the sink with rough, sharp-edged tools or brushes which might damage the surface.
3. Never clean the sink with strong acids, ammonia, sodium hydroxide, strong solvents, whiteners or other invasive chemicals.
4. In case of hard water remember not to allow the formation of any residue. The manufacturer recommends diluted vinegar or lemon juice to remove the scale deposits. Avoid leaving agents which might easily colour the surface (coffee, tea, metal kitchen utensils) as the stains may be difficult to remove.